

CLA

LED Light Bar



Daylight, Amber
Natural White



IP66G/67G/69K



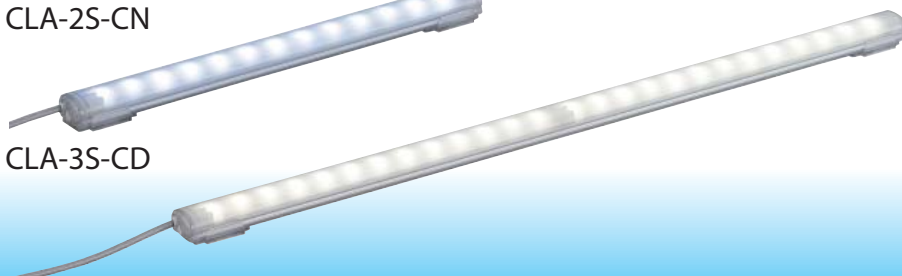
CLA-1S-Y



CLA-2S-CN



CLA-3S-CD



CLA-6S-CN

More than a diffusion LED light bar, it can be used in places like the food-processing industry with its protection rating of "IP69K", which can endure high-pressurized hot water washing.

- Bright, long lasting LED's.
- Suitable for food, beverage and pharmaceutical applications where high-pressure, 80°C high-temperature wash-downs are required. Also meets IP66/67 standards.
- The radiating temperature is reduced to 40 degrees or less (34% reduction in comparison to a 20W fluorescent light), increasing environmental efficiency.
- Seven lengths in the range from 100 to 1500mm to choose from, with three colors (Daylight, Natural White, Amber), and four types of attachments, including a magnet one, offering a potential for various applications.
- The operating temperature range from -40°C to +60°C allows installation in sub-freezing temperatures, such as walk-in freezers.
- It is constructed with strong polycarbonate resin, which is resistant to shock.
- Corresponds to Europe's RoHS Directive.
- Obtained certification for ECOLAB.
- Conforms to CE requirements.
- UL Listed (File No. E306141).

Lumionous Color

With a high-intensity illumination, it is suitable for applications such as lighting-up processing machinery workspace or video inspection systems to help highlight more details, etc.



A 6800K daylight light bar at a distance of 50 cm from the center of irradiation has measured a maximum brightness of 400lx.



CLA-CN (Natural White: 4800K)



CLA-CD (Daylight: 6800K)



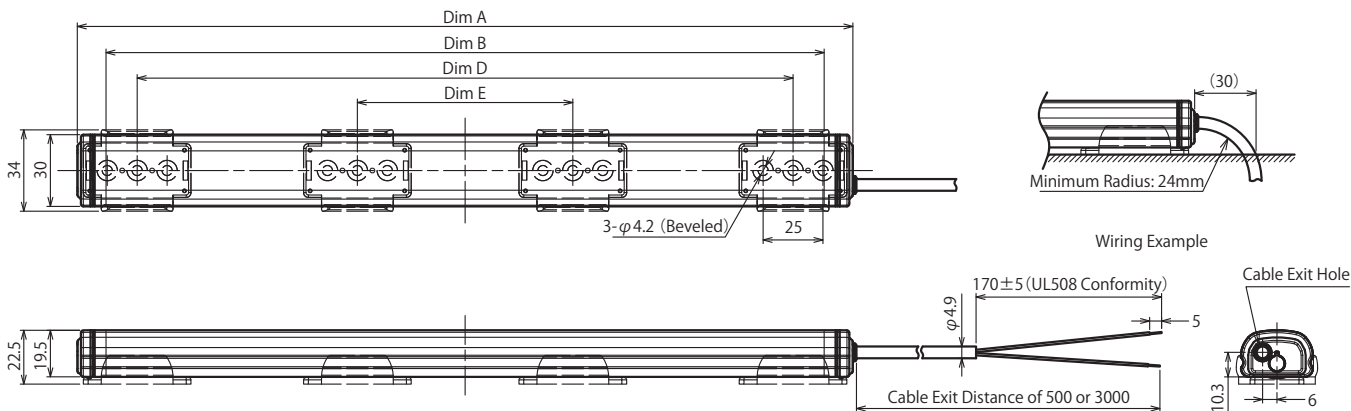
CLA-Y (Amber)

How to Order

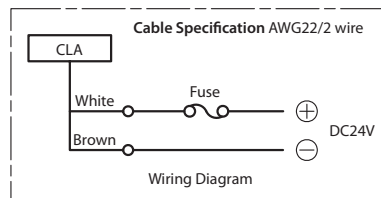
CLA1S-24-CD-30	
Light Bar Length	Cable Length
1 : 100mm	Blank : 0.5m
2 : 200mm	30 : 3.0m
3 : 300mm	
6 : 600mm	Luminous Color
9 : 900mm	-CD (Daylight)
12 : 1,200mm	-CN (Natural White)
15 : 1,500mm	-Y (Amber)

※ -Y is only available in 100mm and 300mm lengths.

Dimensions



Model Name	Dim A	Dim B	Dim D	Dim E	Standard Bracket SZ-310AR
	Total Length	Lighting Area	Mounting Pitch		
CLA1S	124	100	74	—	2 pcs.
CLA2S	224	200	174	—	
CLA3S	324	300	274		
CLA6S	624	600	574		
CLA9S	924	900	874	290	4 pcs.
CLA12S	1,224	1,200	1,174	390	
CLA15S	1,524	1,500	1,474	490	



Options



Standard

Rear Attachment
(Screw Mount)
Model SZ-310AR



Option

Rear Attachment
(Magnetic Mount)
Model SZ-310ARM



Option

Side Attachment
(Screw Mount)
Model SZ-310AS



Option

Side Attachment
(CLB-24N Compatible)
Model SZ-310ASB

Specifications

Model	Luminous Color	Rated Voltage	Vibration Resistance	Operating Temperature Range	Rated Current Consumption	Center Radiation (lx/50cm)	Main Body Material	Protection Rating	Mass
CLA1S -24 -CD	Daylight	DC 24V (Polarized)	19.6 m/s ²	-40°C - +60°C (RH 90% or less)	104mA	140	Polycarbonate	IP66/67/69K	80g
CLA1S -24 -CN	Natural White					78			
CLA1S -24 -Y	Amber				208mA	270			
CLA2S -24 -CD	Daylight								
CLA2S -24 -CN	Natural White								
CLA3S -24 -CD	Daylight				240mA	400			
CLA3S -24 -CN	Natural White								
CLA3S -24 -Y	Amber				480mA	650			
CLA6S -24 -CD	Daylight								
CLA6S -24 -CN	Natural White				720mA	810			
CLA9S -24 -CD	Daylight								
CLA9S -24 -CN	Natural White								
CLA12S -24 -CD	Daylight				960mA	890			
CLA12S -24 -CN	Natural White								
CLA15S -24 -CD	Daylight				1,200mA	945			
CLA15S -24 -CN	Natural White								